

HOOP 0726



3 - 12 years



2 kids



26,0 m²



Material specification

- Hot-dip galvanized and powder coated steel construction,
- Platform made of durable HPL plate, resistant to weather conditions,
- Seats/backrests made of durable HPL plate, resistant to weather conditions,
- Stainless steel handrails,
- Screws covered with plastic caps and/or stainless steel screws,



Facilitating disability



easy access



integration



Physical development

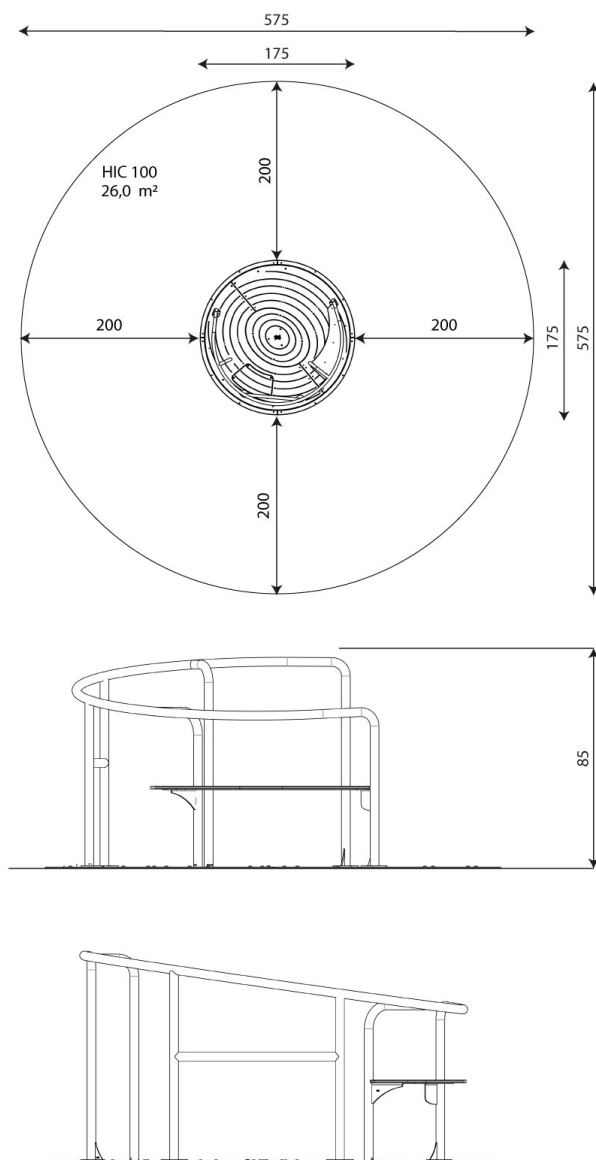


community



spinning





Product technical sheet

HOOP 0726

Product data

Length	175 cm
Width	175 cm
Total height	85 cm
Age group	3 - 12 years
Number of users	2 kids
Safety zone	26,0 m ²
Free fall height	85 cm
In accordance with norm EN	1176-1:2017
Weight of the heaviest part	103 kg
Dimensions of the largest part	164x164x12 cm
Availability of spare parts	YES
Installation time	24 h
Color options	

Data is subject to change without prior notice.

Additional information

- equipment adapted for the disabled; intended for public playgrounds;
- equipment has a certificate issued by an accredited entity or a declaration of conformity;
- no sharp edges or chinks that would pose a danger of jimming the head, fingers or any other body parts;
- anchoring on flat surface, 45 cm deep;
- render is for reference only, the actual appearance of the equipment and its color may vary;

Guarantee

30

30 year guarantee - Structural strength of steel and stainless steel components

15

15 year guarantee - Structural failure of steel and stainless steel, for dynamic equipment

10

10 year guarantee - Structural failure of high density polyethylene and high pressure laminates components

5

5 year guarantee - Corrosion of stainless steel and hot dip galvanized and powder coated components; against bark beetles and rot in case of wooden structural elements

Detailed information in the guarantee card



HOOP 0726

Surfaces according to EN 1176-1:2017

	Description (mm)	Layer thickness (cm)	Maximum fall heights (cm)
Turf/ top layer of soil (A,B,C)	-	-	≤100
bark (A,C)	Particle size from 20 to 80	30	≤200
		40	≤300
woodchips (A,C)	Particle size from 5 to 30	30	≤200
		40	≤300
sand or gravel (A,C)	Particle size from 0,25 to 8	30	≤200
		40	≤300
synthetic attested (A,B,C)	Tested according to EN 1177		100

Amount of safe surface corresponding with free fall height:

HIC 100 26,0 m²

Data is subject to change without prior notice.

