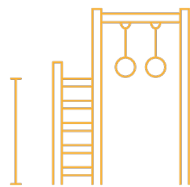
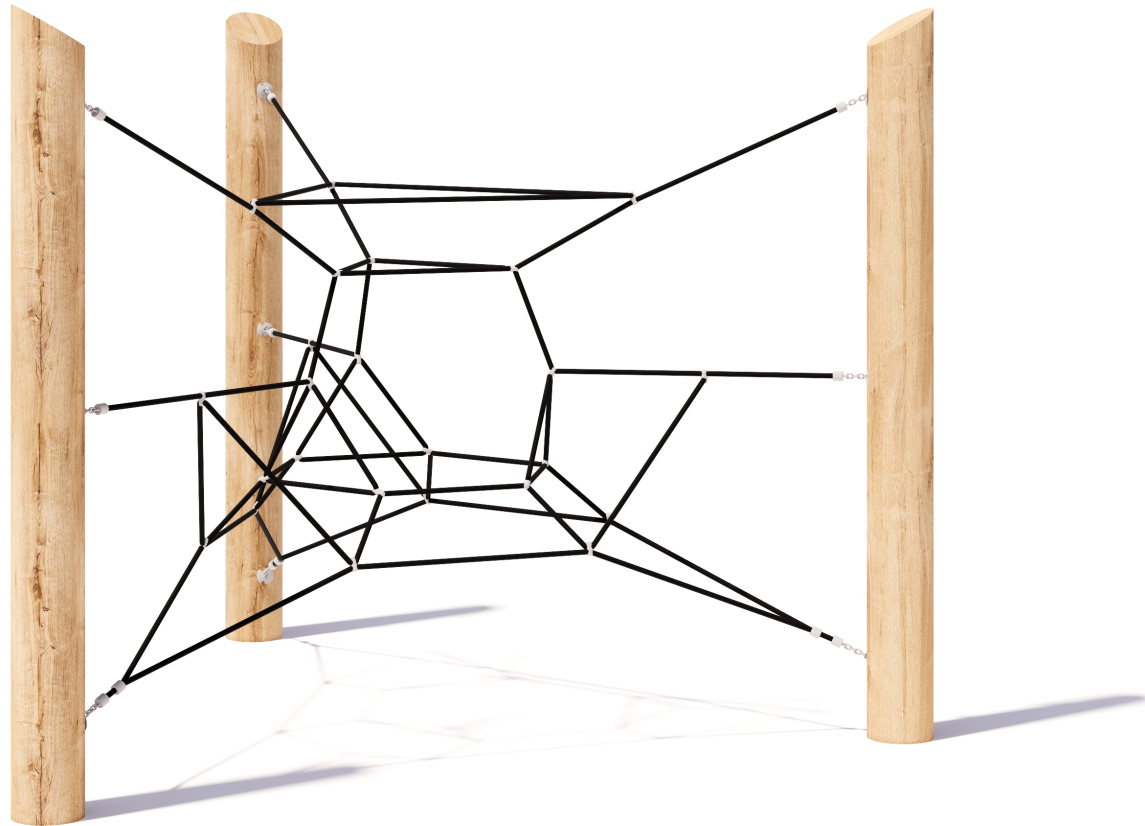


Product Sheet

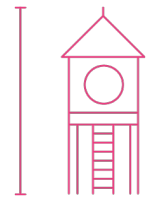
Tricell

CN-1016

playground
creations
creating play for everyday!



CRITICAL
FALL HEIGHT
2.3m



TOTAL
HEIGHT
2.55m



RECOMMENDED
SURFACING
36m²



RECOMMENDED
AGE
3+



RECOMMENDED
USERS
1-6



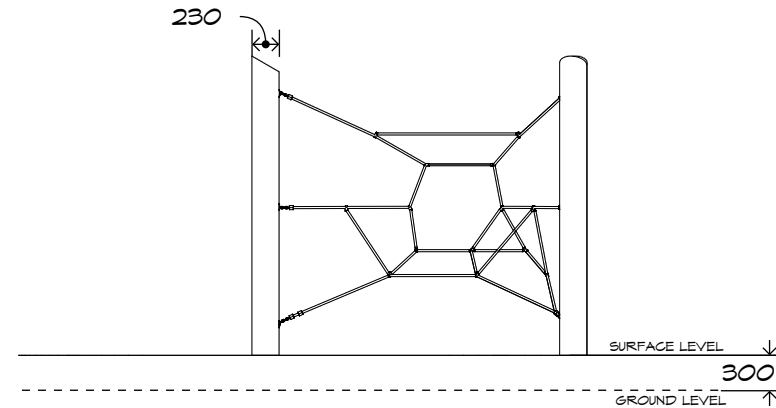
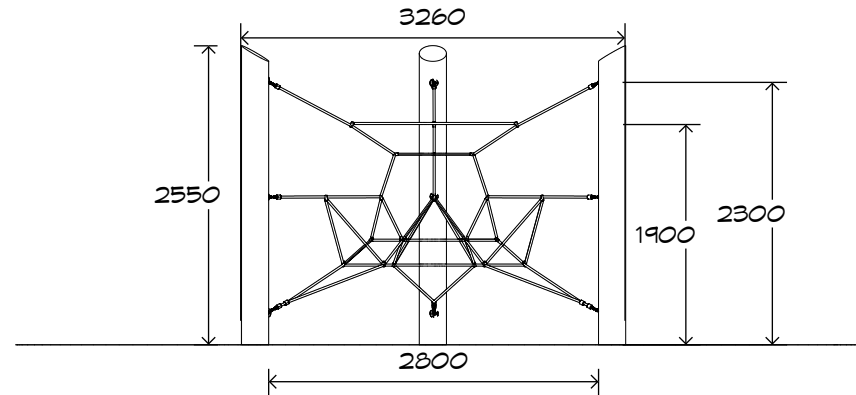
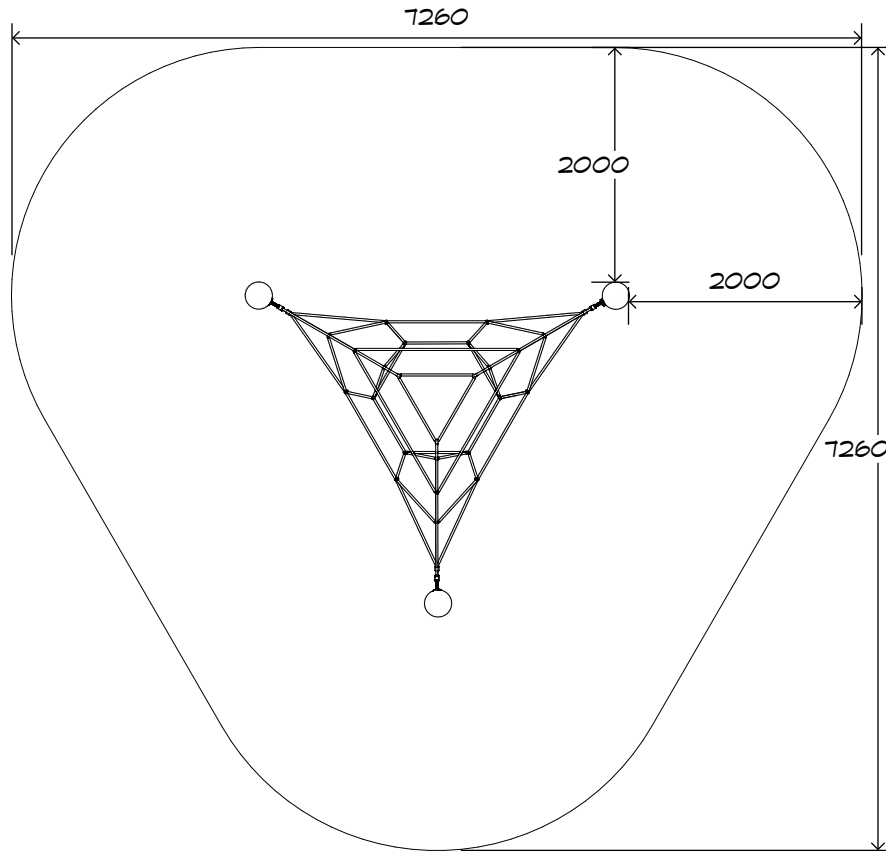
NZS 5828:2015

0800 273 283 | info@playgroundcreations.co.nz | playgroundcreations.co.nz

© THIS DRAWING, INFORMATION AND CONCEPTS CONTAINED
WITHIN ARE THE PROPERTY OF PLAYGROUND CREATIONS

Artist impression only

Tricell CN-1016



Product Warranty

Playground Creations warrants its products to be free from defect in materials or workmanship during normal use and installation and in accordance with our specifications.

Full warranty details on request.

Disclaimer: This should be read in conjunction with the Playground Creations full warranty terms and conditions.



On H5 posts and stainless steel fabricated components



On steel equipment with forced movement



On HDPE (high density polyethylene) structural failure



On combination rope work and activity nets



On all moving components

SURFACING:
RECOMMENDED: 36 m²