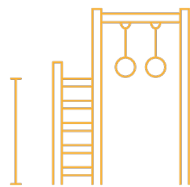


Product Sheet

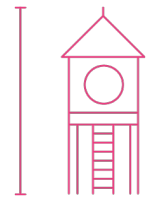
# Spreader Belt Walk

CN-1040

playground  
creations  
*creating play for everyday!*



CRITICAL  
FALL HEIGHT  
2.25m



TOTAL  
HEIGHT  
2.5m



RECOMMENDED  
SURFACING  
30m<sup>2</sup>



RECOMMENDED  
AGE  
3+



RECOMMENDED  
USERS  
1-6



NZS 5828:2015

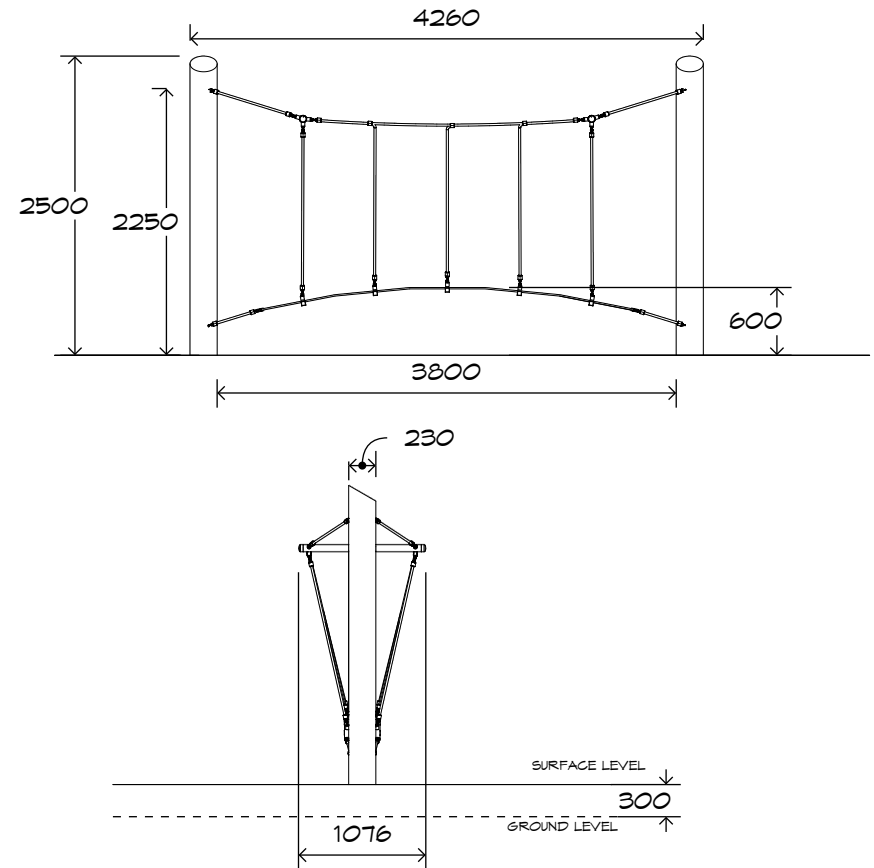
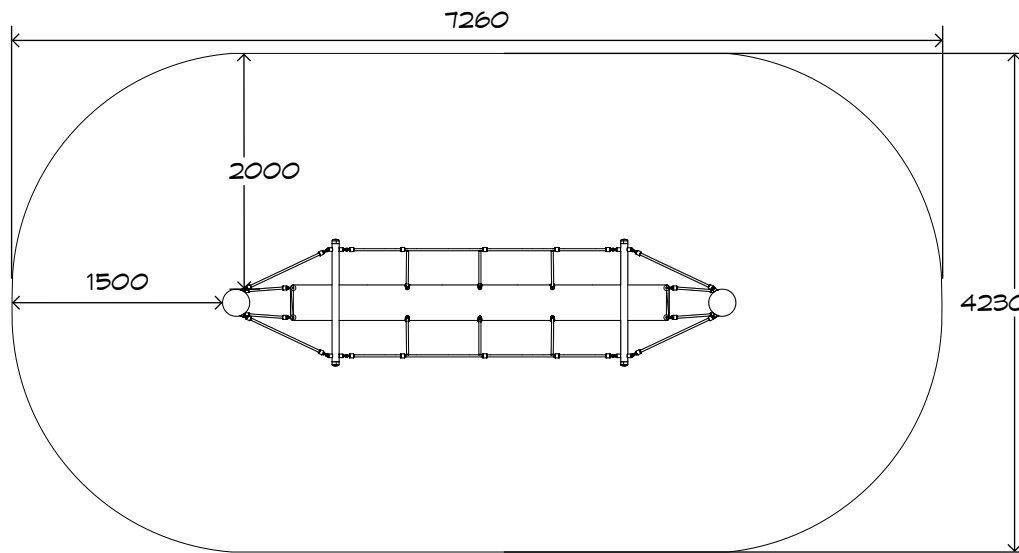
0800 273 283 | [info@playgroundcreations.co.nz](mailto:info@playgroundcreations.co.nz) | [playgroundcreations.co.nz](http://playgroundcreations.co.nz)

© THIS DRAWING, INFORMATION AND CONCEPTS CONTAINED  
WITHIN ARE THE PROPERTY OF PLAYGROUND CREATIONS

Artist impression only

# Product Sheet

## Spreader Belt Walk CN-1040



### Product Warranty

Playground Creations warrants its products to be free from defect in materials or workmanship during normal use and installation and in accordance with our specifications.

Full warranty details on request.

Disclaimer: This should be read in conjunction with the Playground Creations full warranty terms and conditions.



On H5 posts and stainless steel fabricated components



On steel equipment with forced movement



On HDPE (high density polyethylene) structural failure



On combination rope work and activity nets



On all moving components

SURFACING:  
RECOMMENDED: 30 m<sup>2</sup>