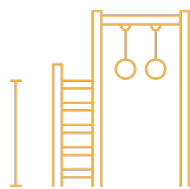


Product Sheet
Bead Crossing
CN-1041



CRITICAL
FALL HEIGHT
2.2m



TOTAL
HEIGHT
2.45m



RECOMMENDED
SURFACING
27m²



RECOMMENDED
AGE
3+



RECOMMENDED
USERS
1-2

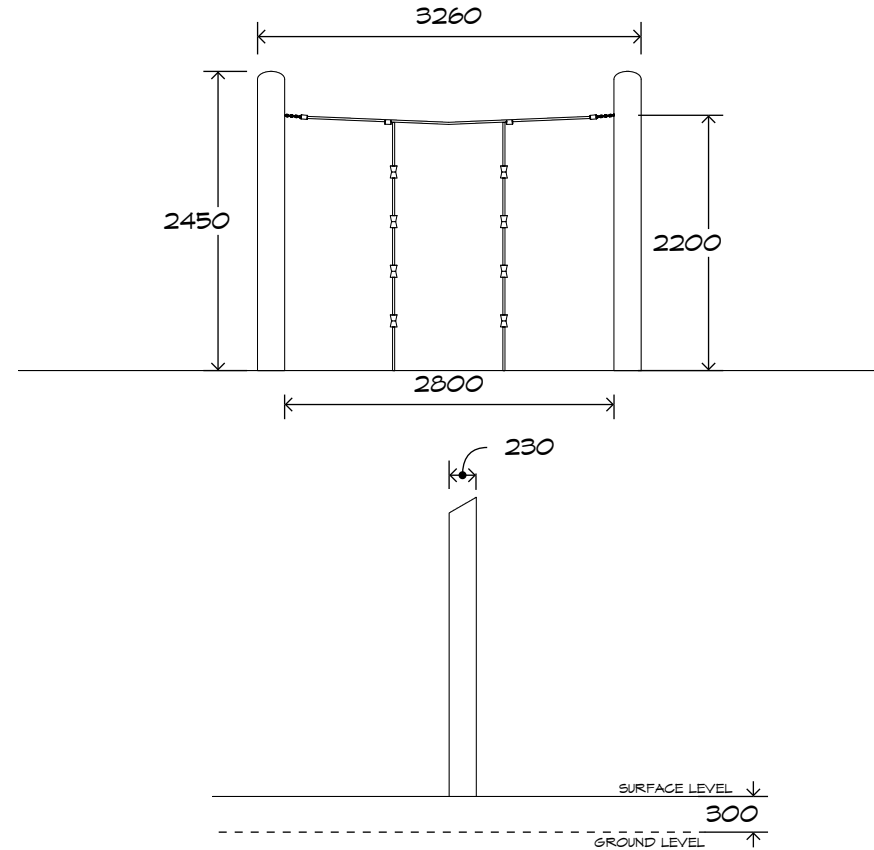
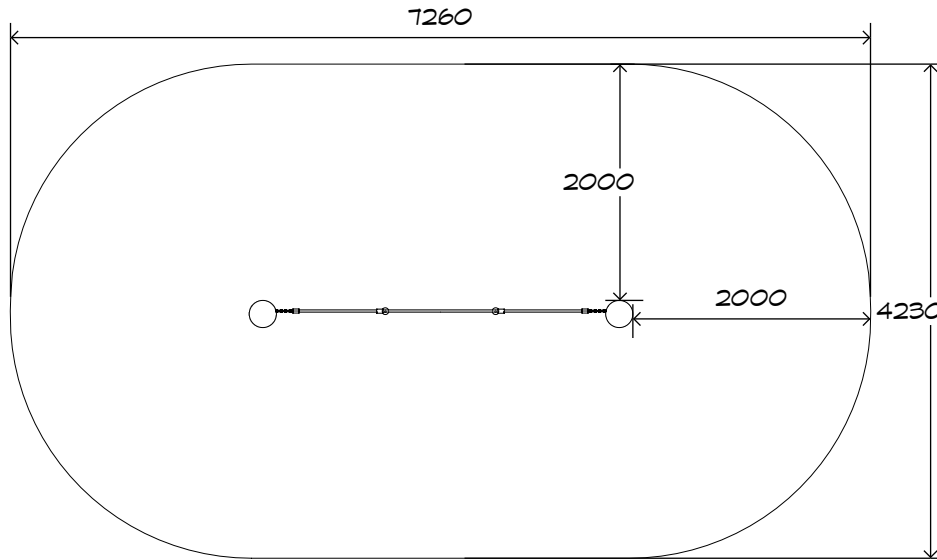


NZS 5828:2015

Product Sheet

Bead Crossing

CN-1041



Product Warranty

Playground Creations warrants its products to be free from defect in materials or workmanship during normal use and installation and in accordance with our specifications.

Full warranty details on request.

Disclaimer: This should be read in conjunction with the Playground Creations full warranty terms and conditions.



On H5 posts and stainless steel fabricated components



On steel equipment with forced movement



On HDPE (high density polyethylene) structural failure



On combination rope work and activity nets



On all moving components

SURFACING:
RECOMMENDED: 27 m²