

Woodland Eco Towers - Coppice (Stainless Slide) WD/COP



Play Value



Materials & Guarantees

Timber Poles (Out of Ground) - 20 Years

Steel Ground Fixings - 20 Years

Structural Stainless Steel - 25 Years

Sawn Timber - 15 Years

Colour Coated Steelwork - 5 Years

Compact Grade Laminate - 10 Years

Plastic Slides - 5 Years

Bolts - 10 Years

Plastic Components - 5 Years

- 1.1m Tower
- Timber Barrier
- 1.1m Stainless Slide
- 1.1m Fireman's Pole
- 1.1m Tilted Climber

Maximise fun in minimal space incorporating essential climbing and sliding features for endless enjoyment.

WOODLAND ECO TOWERS

Playdale™
Playgrounds

Fixing Options



Roof Options



Equipment Dimensions

Length / Width / Height	3.9m x 1.8m x 2.9m
-------------------------	--------------------

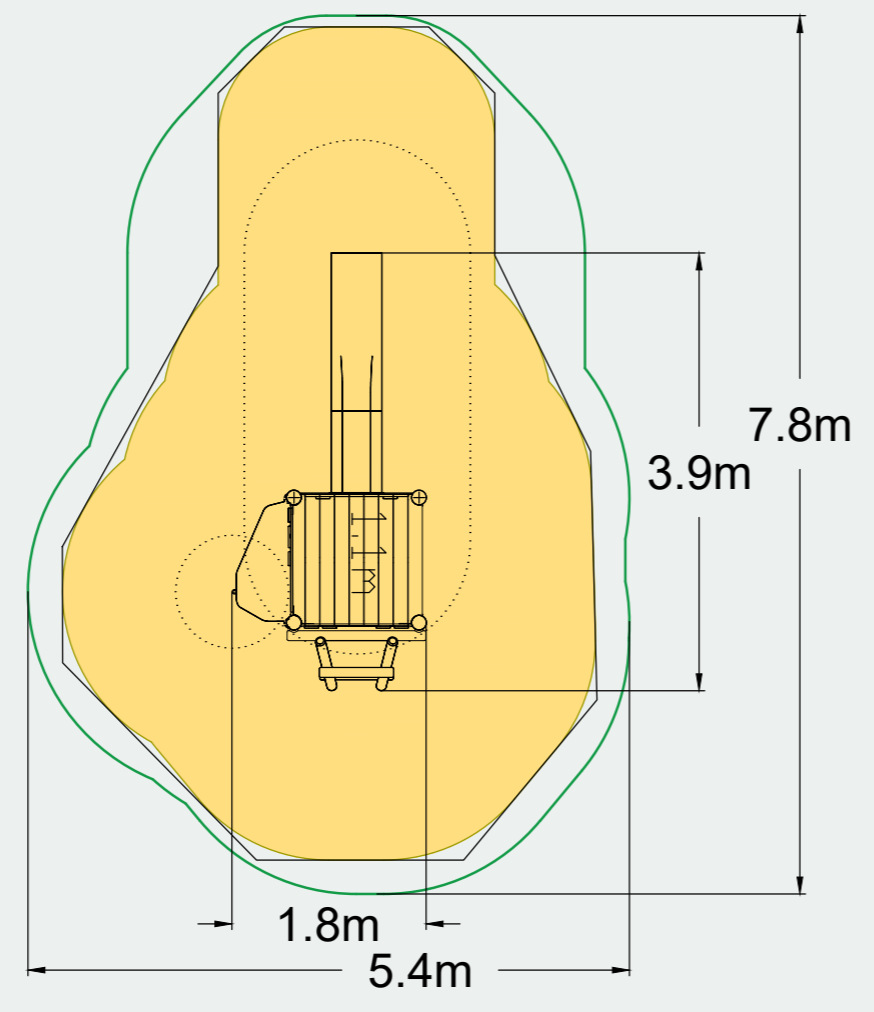
Surfacing and Area Required

Recommended Minimum Space	7.8m x 5.4m x 4.1m
Max Gradient of Ground	1 in 50
Free Height of Fall	1.1m
Synthetic Surfacing Area	26m ²
Loosefill @ 250mm Depth	8m ³
Grasslok (1m x 1m Tiles)	37m ²

Installation Information

Installation Time	2 Persons 11 Hours
Overall Weight	255kg
Heaviest Part	32kg
Largest Part	2.5m x 0.5m x 0.3m
Longest Part	2.9m
Concrete Required	0.4806m ³

Plan View



EN1176
Impact Area



Recommended
Minimum Space



Free
Space



Synthetic
Surfacing



Side Elevation

