

# Big City Plus - Lillehammer Plus



**Option A**  
Dark Blue & Orange  
(shown)

**Option B**  
Purple & Yellow

**Option C**  
All Green

A junior modular tower system comprising of:

- Triangular Tower (1.1m)
- Slide (1.1m)
- Fireman's Pole (1.1m)
- Side Ladder (1.1m)

## Code – BC/LIL\*1

### Age

5-12 years

### Materials

Stainless Steel

Compact Grade Laminate (CGL)

Nylon Steel Cored Rope

Various Plastic Mouldings

LLDPE Slide

## Technical Information

### Equipment Dimensions

Length / Width / Height **3.1m x 1.9m x 2.7m**

### Surfacing and Area Required

Recommended Minimum Space  
L/W/H **7.0m x 5.4m x 3.9m**

Max Gradient of Ground **1 in 50**

Free Height of Fall **1.1m**

Impact Area **21.59m<sup>2</sup>**

Synthetic Area  
(i.e. EPDM / Wet Pour / Synthetic Grass etc.) **22.35m<sup>2</sup> m<sup>2</sup>**

Loosefill at 250mm  
(i.e. Bark / Cushionfall / Sand) **8m<sup>3</sup>**

GrassLok Tiles **33m<sup>2</sup>**

### Installation Information

SGF

SF (if different)

Installation Time **2 Persons 2 Hours**

Overall Weight **2176kg**

Heaviest Part **32kg**

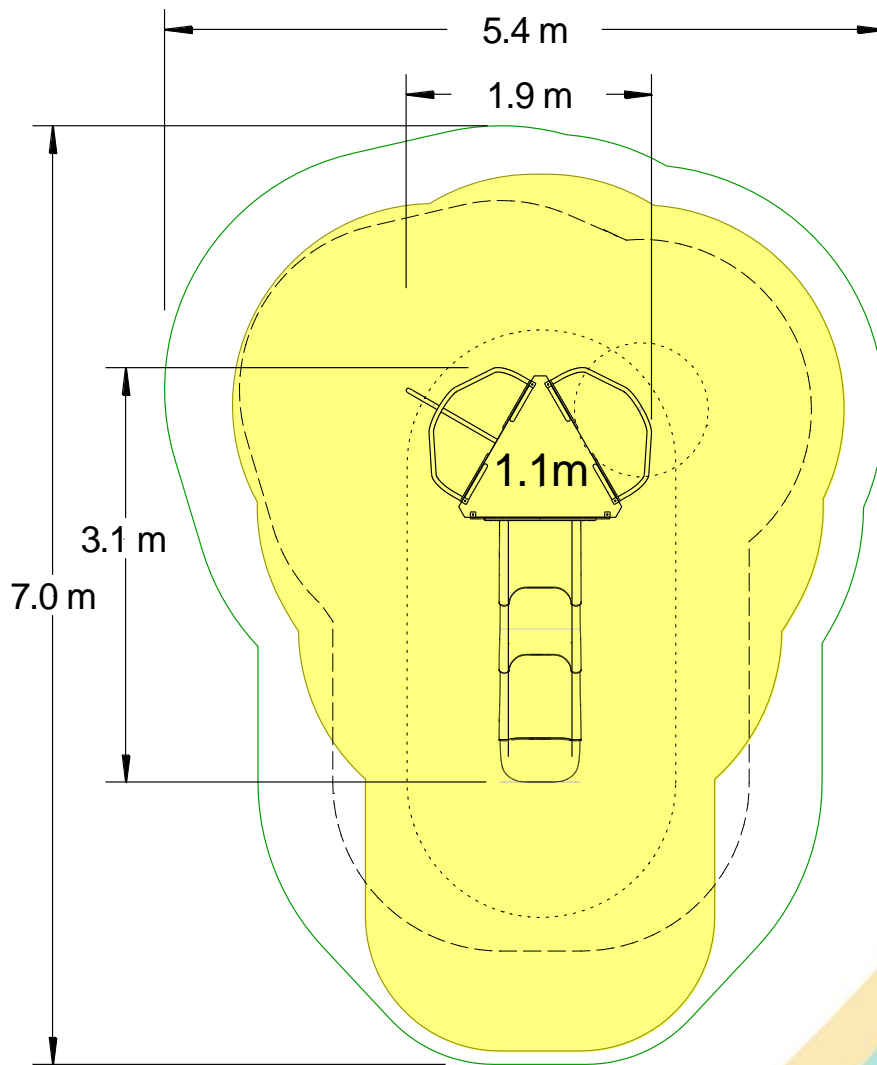
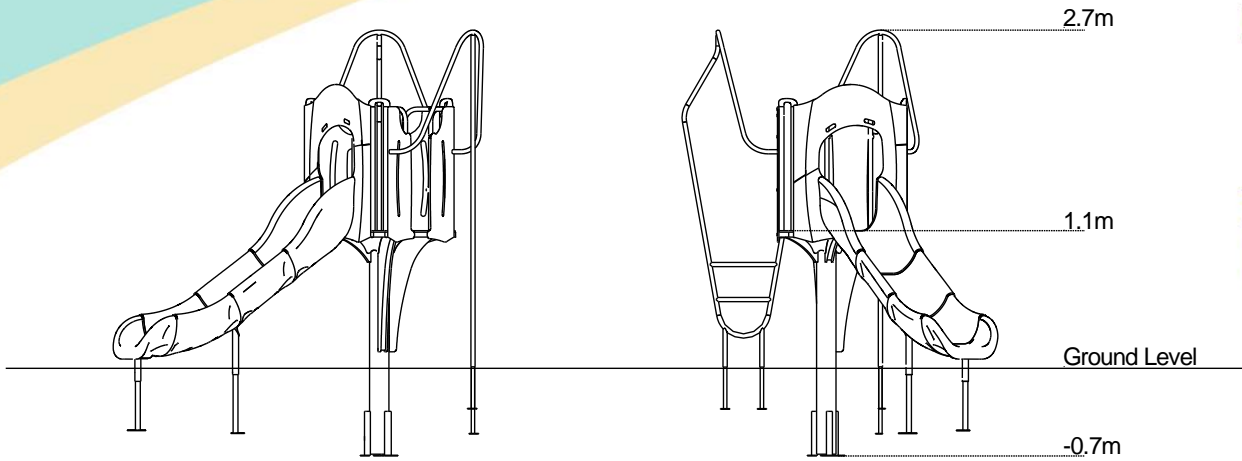
Largest Part **2.4m x 0.6m x 0.6m**

Longest Part **2.4m**

Concrete Required **0.34m<sup>3</sup>** **0.52m<sup>3</sup>**

Certified to ASTM F1487

[Click here for more information & downloads](#)



- Recommended Minimum Space
- Impact Area
- Free Space
- Unit Spacing Boundary

[\*\*Click here for more information & downloads\*\*](#)