

Little Hamlets – Brill Plus



-  Option A-
Light Blue/Yellow
-  Option B-
Purple/Yellow
-  Option C-
Green
(Shown)

A toddler tower system comprising of:

- 2 x Square Tower (0.55m)
- Slide (0.55m)
- Transfer Platform
- Arched Ramp (0.55m)
- Ladder (0.55m)
- Arched Net (0.55m)
- Net Traverse
- Finger Maze Play Panel
- Counter Play Panel

Code – LTH/BRL/*1

Age

2-5 years

Materials

Laminated Timber
Compact Grade Laminate (CGL)
Galvanised or Painted Mild Steel
Nylon Steel Cored Rope
LLDPE Slide
Stainless Steel
Various Plastic Mouldings

Technical Information

Equipment Dimensions

Length / Width / Height **4.8m x 2.3m x 1.9m**

Surfacing and Area Required

Recommended Minimum Space
L/W/H **7.4m x 5.0m x 1.9m**

Max Gradient of Ground **1 in 50**

Free Height of Fall **0.55m**

Impact Area **25.56m²**

Synthetic Area
(i.e. EPDM / Wetpour / Synthetic Grass etc.) **20.39²**

Loosefill at 150mm
(i.e. Bark / Cushionfall / Sand) **6m³**

Grasslok Tiles **29m²**

Installation Information

Steel Ground Fixed

Surface Fixed
(if different)

Installation Time **2 Person(s) 10 Hour(s)**

Overall Weight **263kg**

Heaviest Part **13kg**

Largest Part **1.2m x 0.5m x 0.5m**

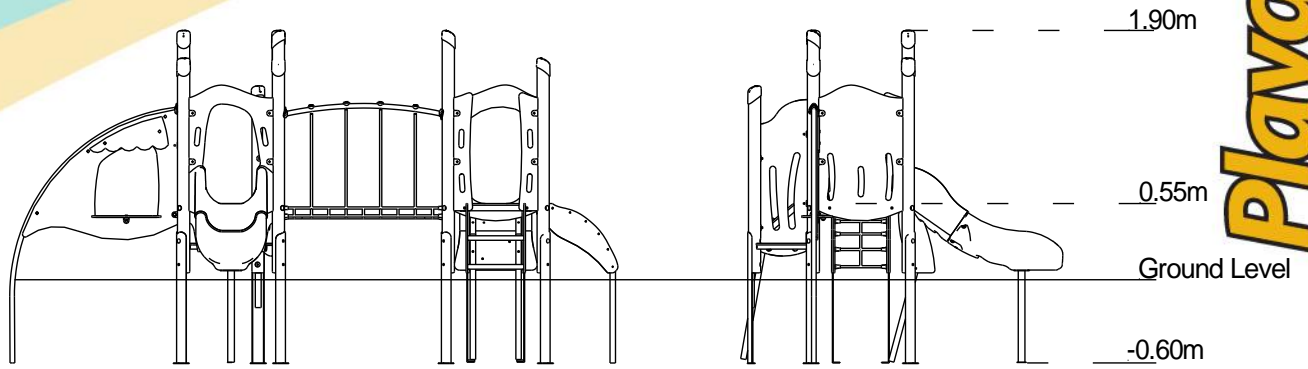
Longest Part **1.2m**

Concrete Required **0.6m³**

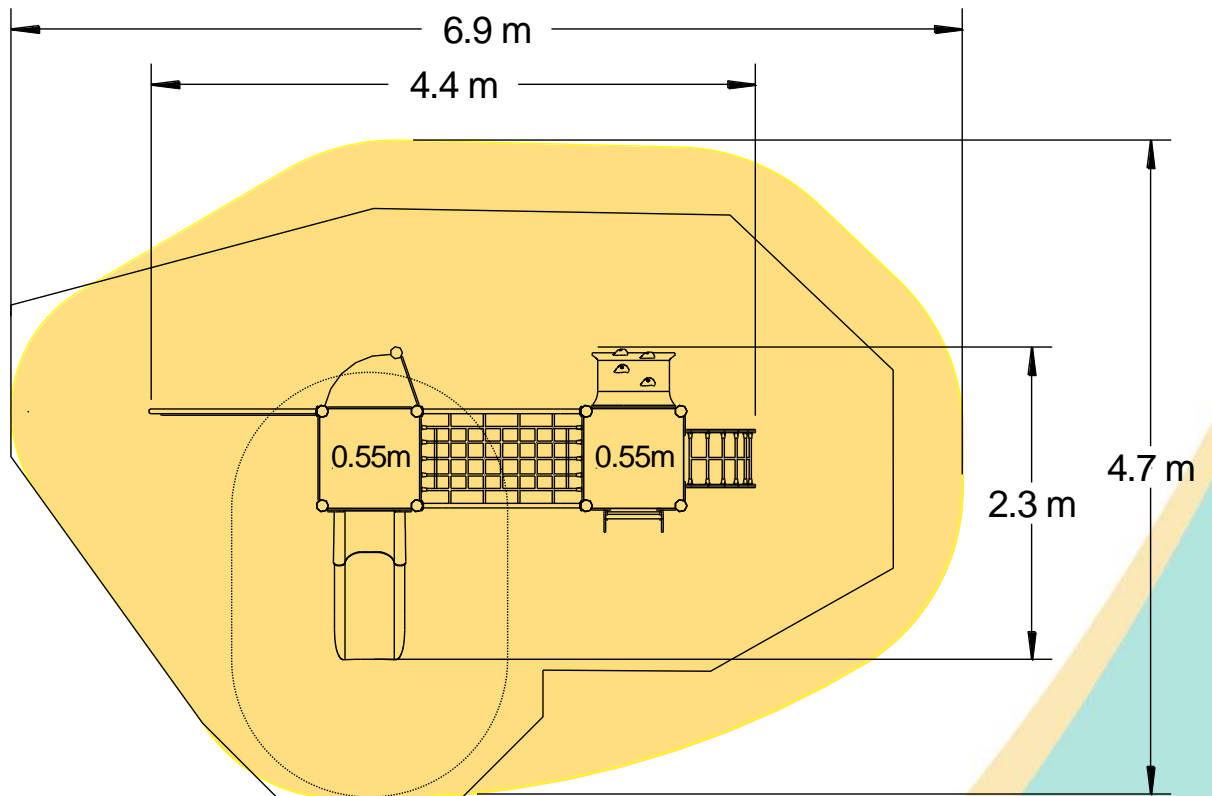
Certified to EN 1176

[Click here for more information & downloads](#)





-  Impact Area
-  Free Space
-  Synthetic Area



[Click here for more information & downloads](#)

