

## Jukebox – Drum and Bass Plus



-  Option A-  
Dark Blue/Yellow
-  Option B-  
Purple/Lime Green  
(Shown)
-  Option C-  
Green

**Code – JB/DRM/\*1**

|                                  |
|----------------------------------|
| <b>Age</b>                       |
| 5-12 years                       |
| <b>Materials</b>                 |
| Laminated Timber                 |
| Compact Grade Laminate (CGL)     |
| Galvanised or Painted Mild Steel |
| Nylon Steel Cored Rope           |
| LLDPE Slide                      |
| Stainless Steel                  |
| Sawn Timber                      |
| Various Plastic Mouldings        |

### A junior tower system comprising of:

- Square Tower (1.5m)
- Square Tower (1.9m)
- Angled Tower (1.9m)
- Triangular Tower (1.5m)
- Triangular Tower (1.9m)
- Slide (1.9m)
- Pole Slide (1.5m)
- Inverted Climber (1.5m)
- Climbing Wall (1.9m)
- Hangabout Seat
- Lookout Tower
- Rope Ramp (1.5m)
- Rope Climb (1.9m)
- Twisted Scramble Net (1.9m)
- Inclined Tunnel
- Ring Crawl Tunnel
- Net Tunnel
- Bridge
- Climber with Fireman's Pole (1.5m)
- Spiders Web
- Bubble Play Panel
- Puzzle Ball Play Panel

### Technical Information

#### Equipment Dimensions

Length / Width / Height **9.6m x 8.1m x 3.8m**

#### Surfacing and Area Required

Recommended Minimum Space  
L/W/H **13.4m x 12.5m x 5.0m**

Max Gradient of Ground **1 in 50**

Free Height of Fall **1.9m**

Impact Area **100.30m<sup>2</sup>**

Synthetic Area  
(i.e. EPDM / Wetpour / Synthetic Grass etc.) **101.99m<sup>2</sup>**

Loosefill at 250mm  
(i.e. Bark / Cushionfall / Sand) **29m<sup>3</sup>**

Grasslok Tiles **120m<sup>2</sup>**

#### Installation Information

Steel Ground Fixed

Surface Fixed  
(if different)

Installation Time **2 Person(s) 42 Hour(s)**

Overall Weight **1880kg**

Heaviest Part **40kg**

Largest Part **2.4m x 1.0m x 0.6m**

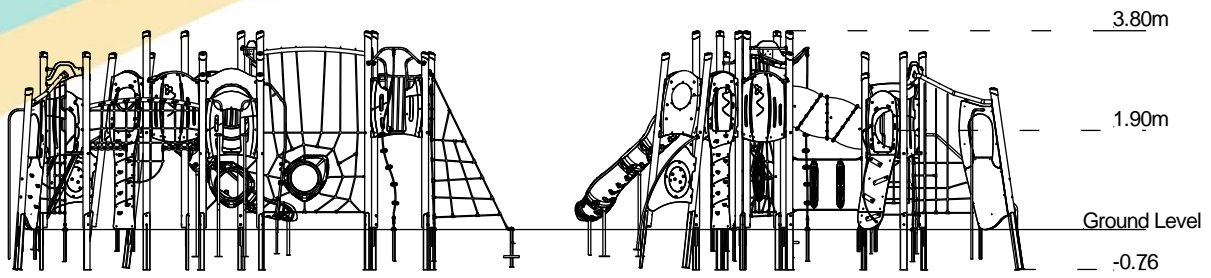
Longest Part **3.7m**

Concrete Required **1.9m<sup>3</sup>**

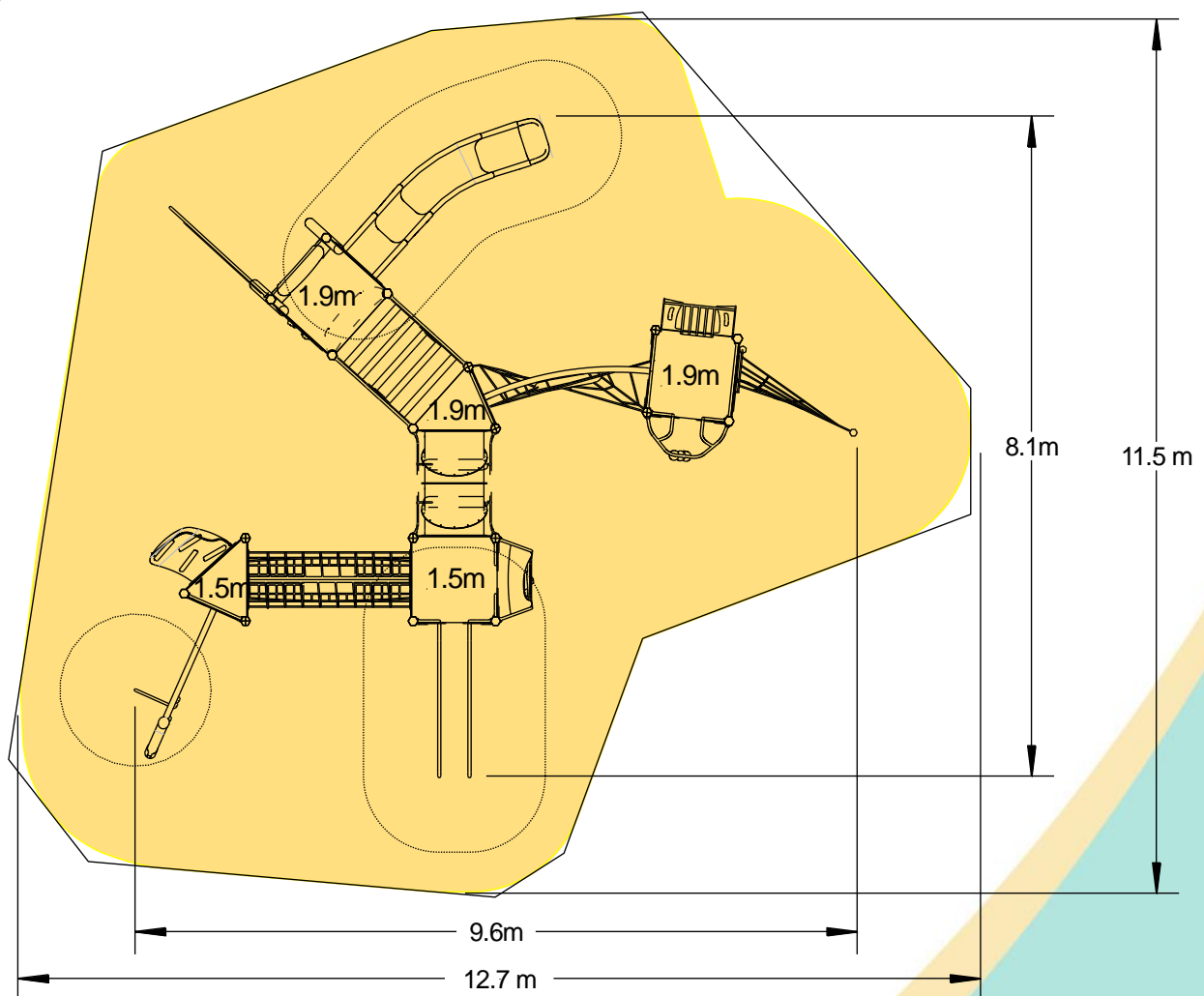
Certified to EN 1176

[Click here for more information & downloads](#)





-  Impact Area
-  Free Space
-  Synthetic Area



[Click here for more information & downloads](#)

