


## Mountain Tower Plus - Eiger



-  Option A-  
Dark Blue/Yellow
-  Option B-  
Purple/Lime Green  
(Shown)
-  Option C-  
Green

### Code – MTN/EIG/\*1

<b>Age</b>
5-12 years
<b>Materials</b>
Laminated Timber
Compact Grade Laminate (CGL)
Galvanised or Painted Mild Steel
Nylon Steel Cored Rope
LLDPE Slide
Sawn Timber
Various Plastic Mouldings

### A junior tower system comprising of:

- 3 Floor Hexagonal Tower
- Tube Slide (3.3m)
- Rope Ramp (1.5m)
- Tunnel Access
- Bubble Panel
- Play Panels

## Technical Information

### Equipment Dimensions

Length / Width / Height **8.6m x 4.2m x 8.3m**

### Surfacing and Area Required

Recommended Minimum Space  
L/W/H **12.4m x 7.1m x 9.8m**

Max Gradient of Ground **1 in 50**

Free Height of Fall **1.5m**

Impact Area **50.53m<sup>2</sup>**

Synthetic Area  
(i.e. EPDM / Wet Pour / Synthetic Grass etc.) **47.1m<sup>2</sup>**

Loosefill at 250mm  
(i.e. Bark / Cushionfall / Sand) **17m<sup>3</sup>**

GrassLok Tiles **62m<sup>2</sup>**

### Installation Information

Steel Ground Fixed

Surface Fixed  
(if different)

Installation Time **4 Person(s) 40 Hour(s)**

Overall Weight **1758kg**

Heaviest Part **70kg**

Largest Part **3.8m x 1.7m x 1.0m**

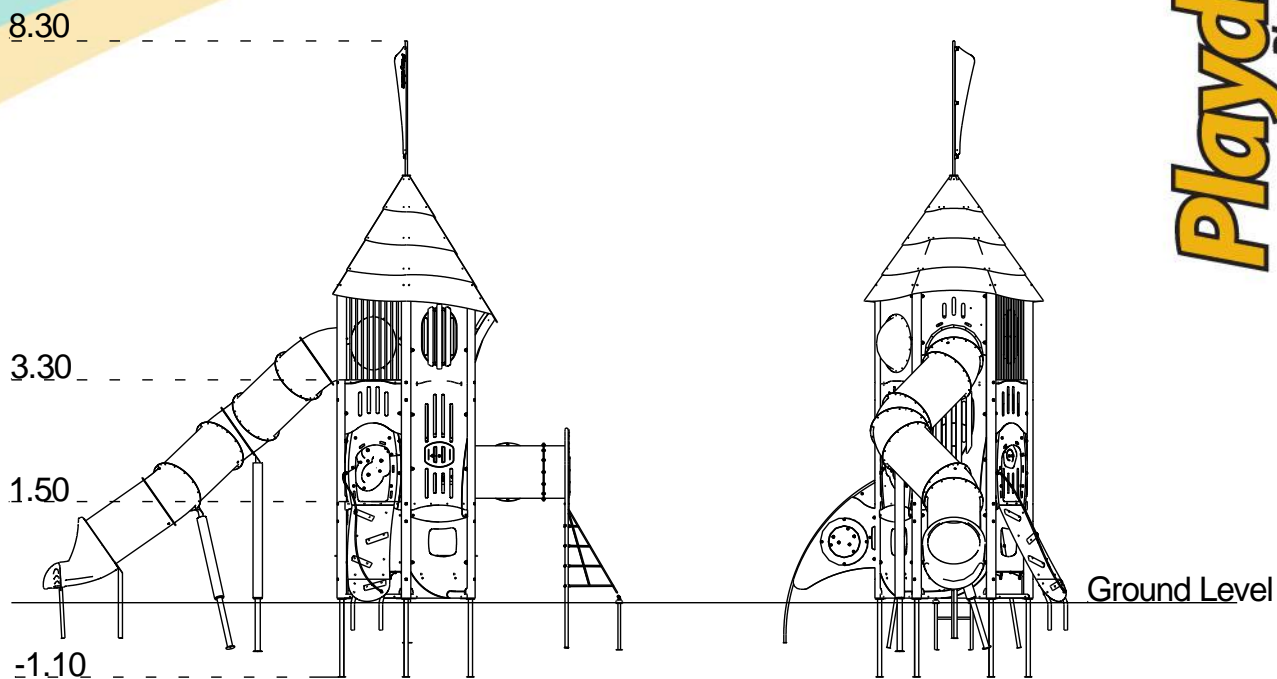
Longest Part **4.6m**

Concrete Required **1.1m<sup>3</sup>**

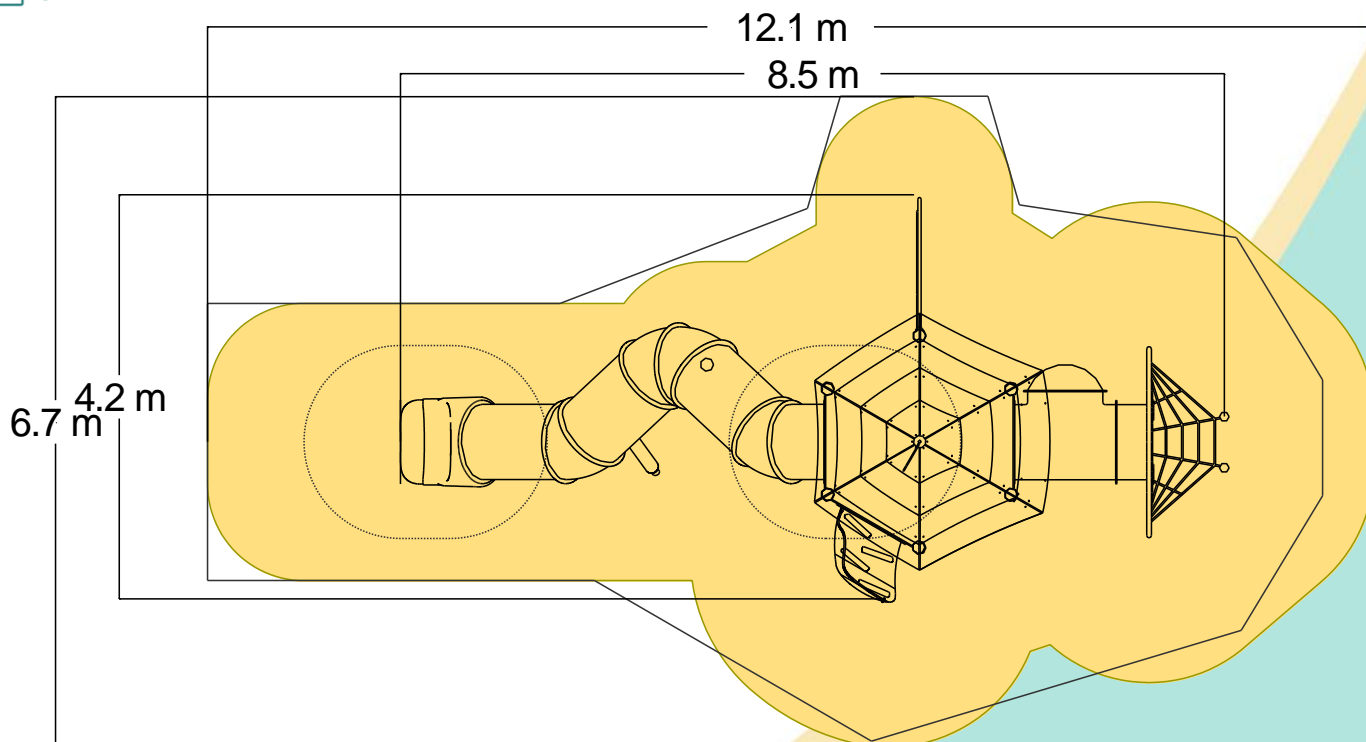
Certified to EN 1176

[Click here for more information & downloads](#)





- Impact Area
- Free Space
- Synthetic Area



[Click here for more information & downloads](#)

