

Big City Plus - Montreal Plus



-  **Option A**
Dark Blue & Orange
(shown)
-  **Option B**
Purple & Yellow
-  **Option C**
All Green

A junior modular tower system comprising of:

- Square Towers (1.9m)
- 3 x Triangular Towers (1.5m)
- Slide (1.9m)
- Twisted Climbing Net (1.9m)
- Rope Climb (1.9m)
- Net Tunnel (1.5m)
- Climbing Wall (1.5m)
- Side Ladder (1.5m)
- Fireman's Pole (1.5m)
- Side Climber (1.5m)
- Level Hoop Bars
- Inclined Net Bridge
- Under Floor Seating

Code – BC/MON*2

Age

5-12 years

Materials

Stainless Steel

Compact Grade Laminate (CGL)

Nylon Steel Cored Rope

Various Plastic Mouldings

LLDPE Slide

Technical Information

Equipment Dimensions

Length / Width / Height **7.2m x 6.3m x 3.5m**

Surfacing and Area Required

Recommended Minimum Space
L/W/H **11.0m x 9.8m x 4.7m**

Max Gradient of Ground **1 in 50**

Free Height of Fall **1.9m**

Impact Area **67.22m²**

Synthetic Area
(i.e. EPDM / Wet Pour / Synthetic Grass etc.) **71.15m²**

Loosefill at 250mm
(i.e. Bark / Cushionfall / Sand) **21m³**

GrassLok Tiles **94m²**

Installation Information

SGF

SF (if different)

Installation Time **2 Persons 27 Hours**

Overall Weight **959kg**

Heaviest Part **44kg**

Largest Part **3.7m x 0.4m x 0.4m**

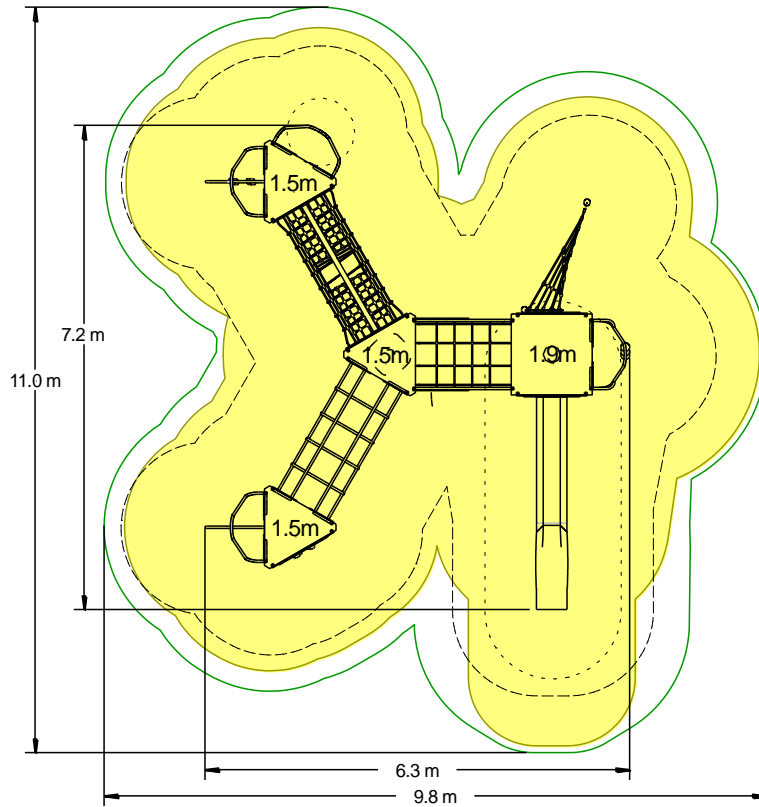
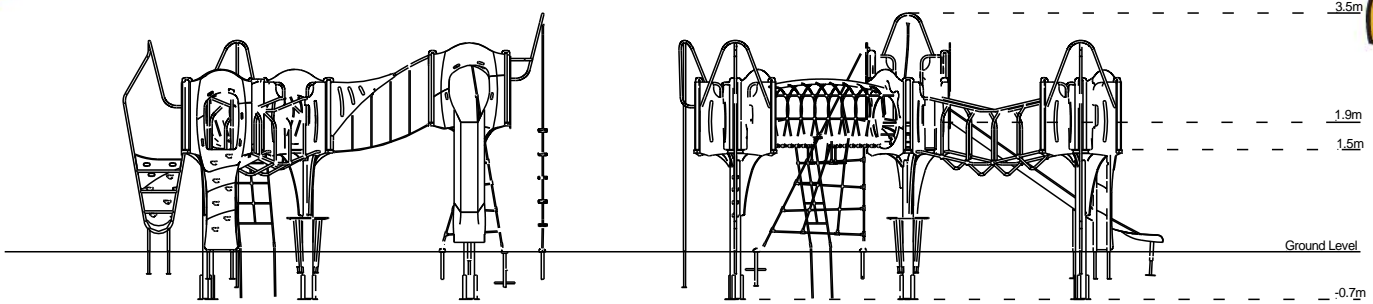
Longest Part **3.7m**

Concrete Required **1.3m³** **1.94m³**

Certified to ASTM F1487

[Click here for more information & downloads](#)





-  Recommended Minimum Space
-  Impact Area
-  Free Space
-  Unit Spacing Boundary

[Click here for more information & downloads](#)

