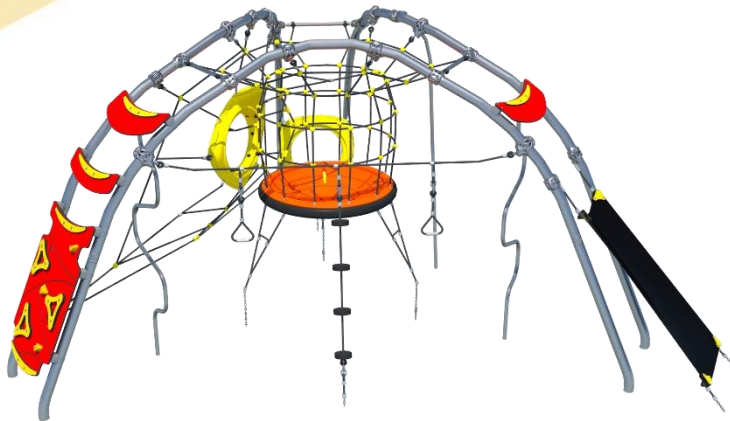


Frontiers - Origin



A Junior Multi-Play Unit Comprising Of:

- Dome Climber
- Climbing Ring
- Team Net
- Fireman's Pole
- Swivel Traverse
- Dome Shoot

Code – FNT/ORG

Age

5-12 years

Materials

Stainless Steel
Nylon Steel Cored Rope
Compact Grade Laminate (CGL)
Various Plastic Mouldings
Multi-Ply Rubber

Technical Information

Equipment Dimensions

Length / Width / Height **5.6m x 4.7m x 2.5m**

Surfacing and Area Required

Recommended Minimum Space L/W/H **8.8m x 8.8m x 3.8m**

Max Gradient of Ground **1 in 50**

Free Height of Fall **2.5m**

Impact Area **48²**

Synthetic Area (i.e. EPDM / Wet Pour / Synthetic Grass etc.) **50m²**

Loosefill at 350mm (i.e. Bark / Cushionfall / Sand) **21m³**

GrassLok Tiles **67m²**

Installation Information

SGF

SF (if different)

Installation Time **2 Persons 28 Hours**

2 Persons 16 Hours

Overall Weight **535kg**

Heaviest Part **74.1kg**

Largest Part **2.3m x 2.3m x 0.3m**

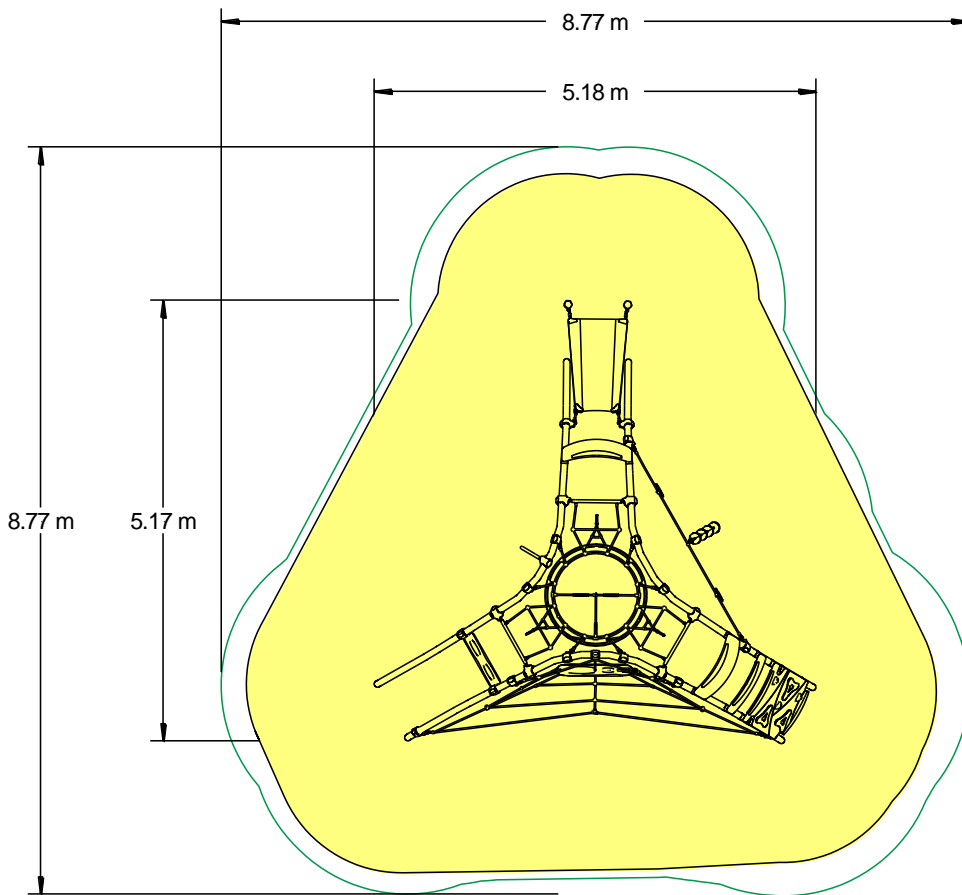
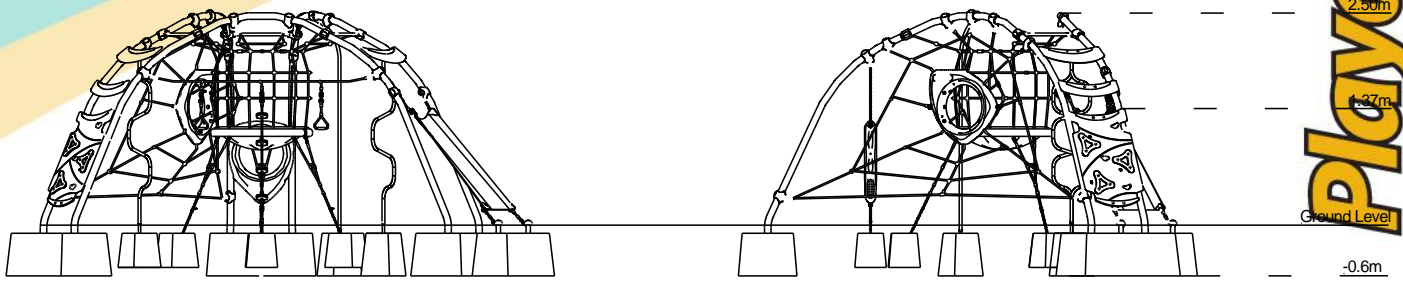
Longest Part **2.9m**

Concrete Required **1.76m³** **1.91m³**

Certified to ASTM F1487

[Click here for more information & downloads](#)





-  Recommended Minimum Space
-  Impact Area
-  Free Space
-  Unit Spacing Boundary

[Click here for more information & downloads](#) 