

Woodland Eco Towers - Dingle (Plastic Tube Slide)

WD/DIN



Play Value



Materials & Guarantees

Timber Poles (Out of Ground) - 20 Years
Steel Ground Fixings - 20 Years
Structural Stainless Steel - 25 Years
Sawn Timber - 15 Years
Colour Coated Steelwork - 5 Years
Compact Grade Laminate - 10 Years
Plastic Slides - 5 Years
Bolts - 10 Years
Plastic Components - 5 Years

- 1.9m Angled Tower (Incl. Net & Climbing Wall)
- 1.9m Plastic Tube Slide
- Timber Barrier

An exhilarating unit designed to captivate children with its thrilling 1.9m high tower and an engaging climbing module offering an exciting challenge for those seeking adventure.

WOODLAND ECO TOWERS

Fixing Options



Roof Options



Equipment Dimensions

Length / Width / Height	4.9m x 2.8m x 3.7m
-------------------------	--------------------

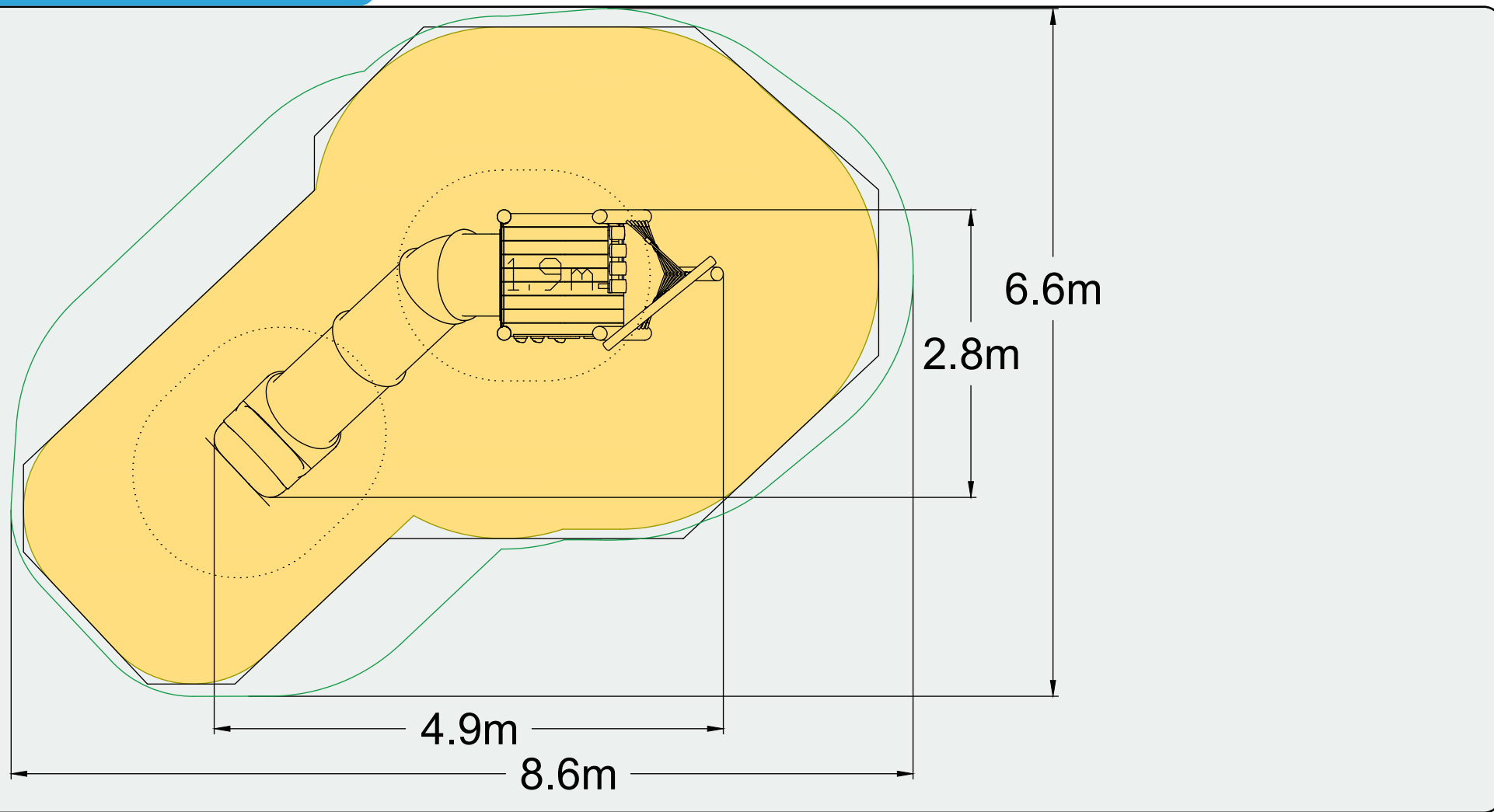
Surfacing and Area Required

Recommended Minimum Space	8.6m x 6.6m x 4.9m
Max Gradient of Ground	1 in 50
Free Height of Fall	1.9m
Synthetic Surfacing Area	31m ²
Loosefill @ 250mm Depth	9.75m ³
Grasslok (1m x 1m Tiles)	44m ²

Installation Information

Installation Time	2 Persons 11 Hours
Overall Weight	358kg
Heaviest Part	72kg
Largest Part	4.2m x 1.1m x 1m
Longest Part	4.2m
Concrete Required	0.56232m ³

Plan View



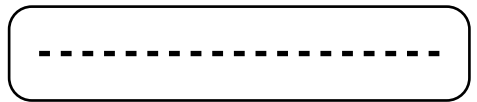
EN1176
Impact Area



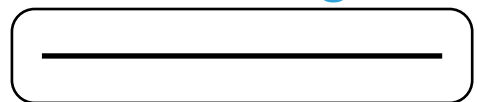
Recommended
Minimum Space



Free
Space



Synthetic
Surfacing



Side Elevation

