

Woodland Eco Towers - Hedgerow (Plastic Slide)

WD/HED



Play Value



Materials & Guarantees

Timber Poles (Out of Ground) - 20 Years
Steel Ground Fixings - 20 Years
Structural Stainless Steel - 25 Years
Sawn Timber - 15 Years
Colour Coated Steelwork - 5 Years
Compact Grade Laminate - 10 Years
Plastic Slides - 5 Years
Bolts - 10 Years
Plastic Components - 5 Years

- 1.1m Tower
- 1.5m Tower
- Timber Barrier
- 1.5m Plastic Slide
- 1.5m Tilted Climber
- 1.5m Net Traverse Wall
- 1.1m Net Inclined Access
- 1.1m Inclined Access
- Inclined Woodland Bridge

This two-tower structure is designed for easy accessibility and features an incredible array of climbing, sliding, and balancing activities. This versatile tower promises an all-encompassing play experience ensuring hours of fun and excitement for children of all ages.

WOODLAND ECO TOWERS

Playdale™
Playgrounds

Fixing Options



Roof Options



Equipment Dimensions

Length / Width / Height	6.6m x 6.5m x 3.3m
-------------------------	--------------------

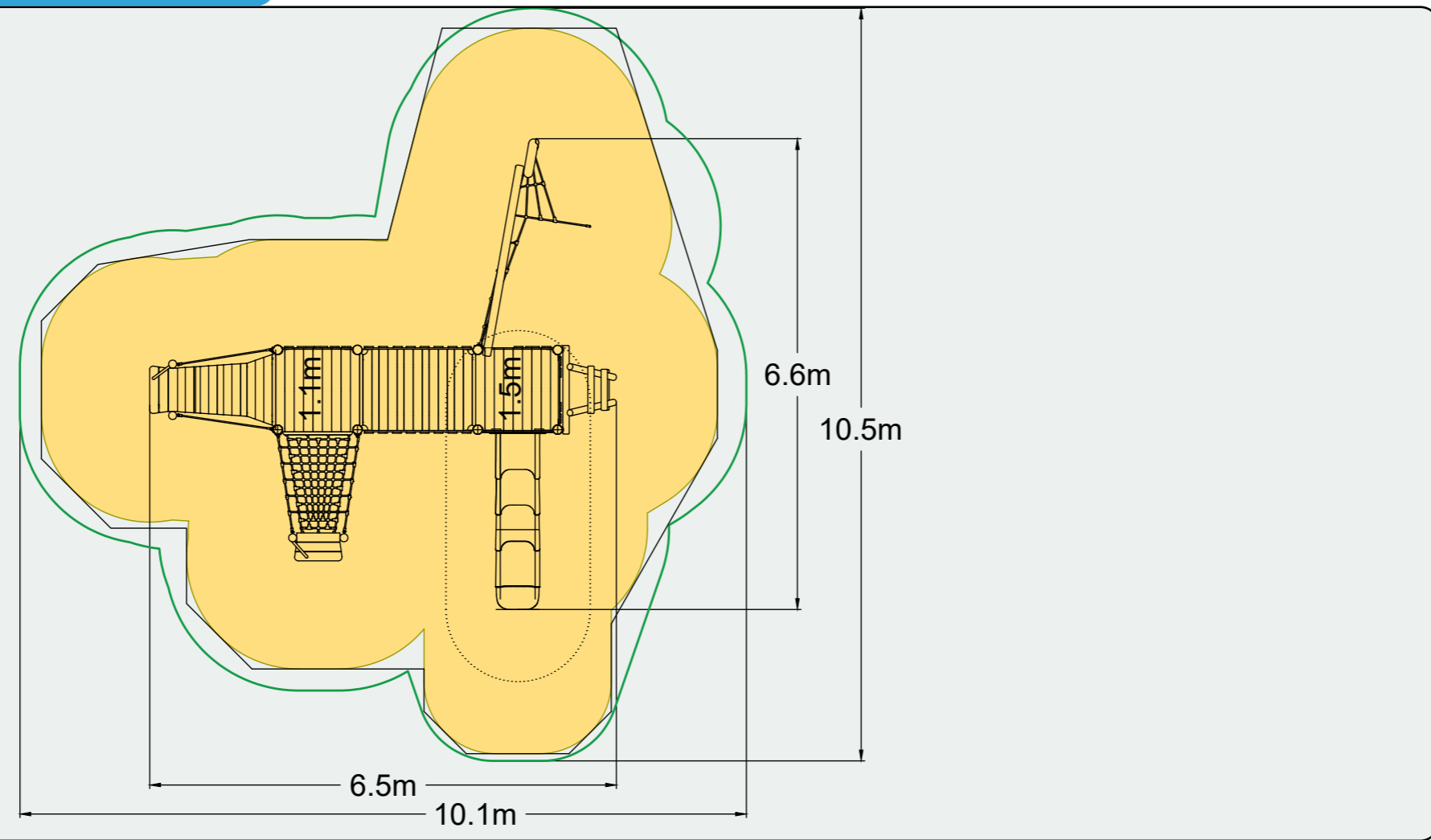
Surfacing and Area Required

Recommended Minimum Space	10.5m x 10.1m x 4.5m
Max Gradient of Ground	1 in 50
Free Height of Fall	1.5m
Synthetic Surfacing Area	60m ²
Loosefill @ 250mm Depth	17.5m ³
Grasslok (1m x 1m Tiles)	78m ²

Installation Information

Installation Time	2 Persons 23 Hours
Overall Weight	644kg
Heaviest Part	40kg
Largest Part	3.1m x 0.6m x 0.5m
Longest Part	3.3m
Concrete Required	1.2m ³

Plan View



EN1176
Impact Area



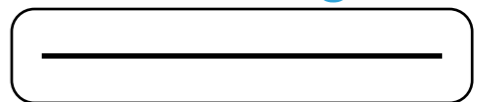
Recommended
Minimum Space



Free
Space



Synthetic
Surfacing



Side Elevation

