

Woodland Eco Towers - Holt (Plastic Slide)

WD/HOL

PlaydaleTM
Playgrounds



5 - 12
Years



15
Users



12 Play
Features



Play Value



Agility



Balancing



Climbing



Coordination



Hanging



Jumping/Stretching



Natural Play



Roleplay/Imaginative



Sliding



Social



Swinging



Training

Materials & Guarantees

Timber Poles (Out of Ground) - 20 Years

Steel Ground Fixings - 20 Years

Structural Stainless Steel - 25 Years

Sawn Timber - 15 Years

Colour Coated Steelwork - 5 Years

Compact Grade Laminate - 10 Years

Plastic Slides - 5 Years

Bolts - 10 Years

Plastic Components - 5 Years

- 1.1m Tower
- Timber Barrier
- 1.1m Plastic Slide
- 1.1m Tilted Climber
- 1.1m Inclined Access

Experience the all-in-one playground joy with The Holt! This single-play tower combines essential and simplified climbing and sliding features ensuring endless enjoyment for all ages.

WOODLAND ECO TOWERS

Playdale™
Playgrounds

Fixing Options



Roof Options



Equipment Dimensions

Length / Width / Height	4.9m x 1.8m x 2.9m
-------------------------	--------------------

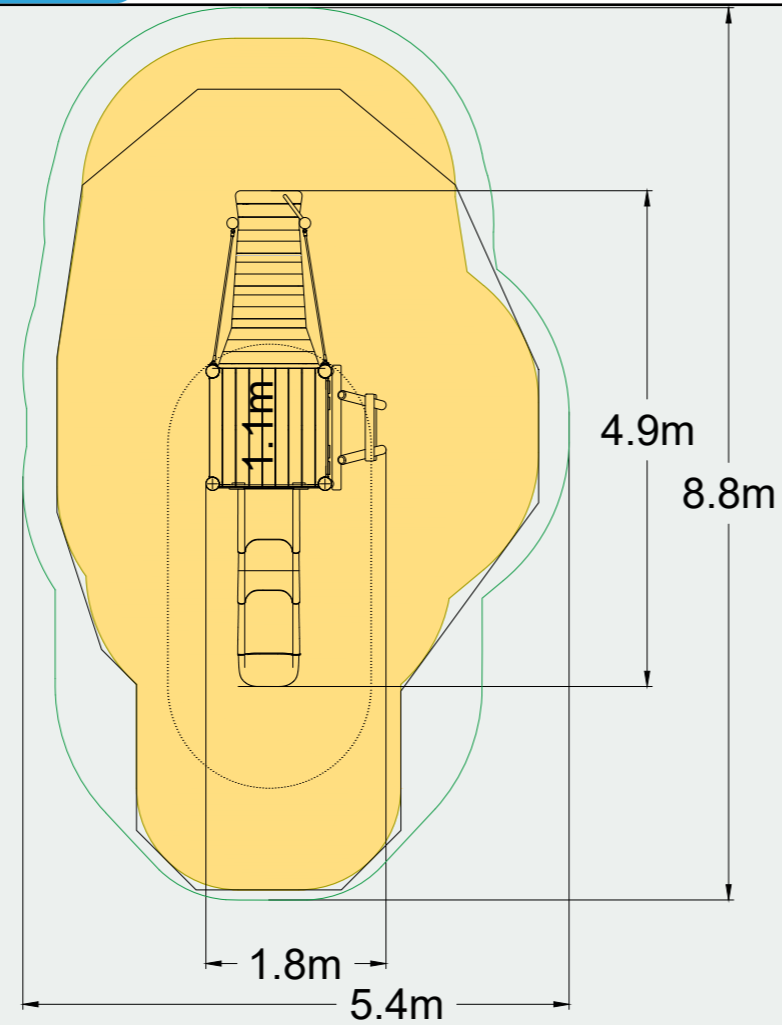
Surfacing and Area Required

Recommended Minimum Space	8.8m x 5.4m x 4.1m
Max Gradient of Ground	1 in 50
Free Height of Fall	1.1m
Synthetic Surfacing Area	28m ²
Loosefill @ 250mm Depth	9.5m ³
Grasslok (1m x 1m Tiles)	39.5m ²

Installation Information

Installation Time	2 Persons 13 Hours
Overall Weight	294kg
Heaviest Part	32kg
Largest Part	2.4m x 0.6m x 0.5m
Longest Part	2.9m
Concrete Required	0.6m ³

Plan View



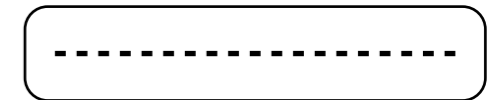
EN1176
Impact Area



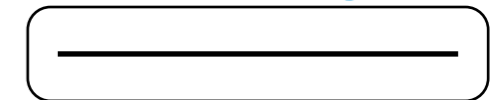
Recommended
Minimum Space



Free
Space



Synthetic
Surfacing



Side Elevation

