

Woodland Eco Towers - The Forest (Plastic Slide)

WD/FOR



Play Value



Materials & Guarantees

Timber Poles (Out of Ground) - 20 Years

Steel Ground Fixings - 20 Years

Structural Stainless Steel - 25 Years

Sawn Timber - 15 Years

Colour Coated Steelwork - 5 Years

Compact Grade Laminate - 10 Years

Plastic Slides - 5 Years

Bolts - 10 Years

Plastic Components - 5 Years



- 2 No. 1.1m Tower
- 2 No. Timber Barrier
- 1.1m Plastic Slide
- 1.1m Fireman's Pole
- 1.1m Tilted Climber
- 1.1m Inclined Access
- Canopy Bridge

A compact and low-level two-tower unit that seamlessly blends beloved classic play features with exciting challenges ensuring a delightful experience for all children.

WOODLAND ECO TOWERS

Playdale™
Playgrounds

Fixing Options



Roof Options



Equipment Dimensions

Length / Width / Height	6.4m x 3m x 2.9m
-------------------------	------------------

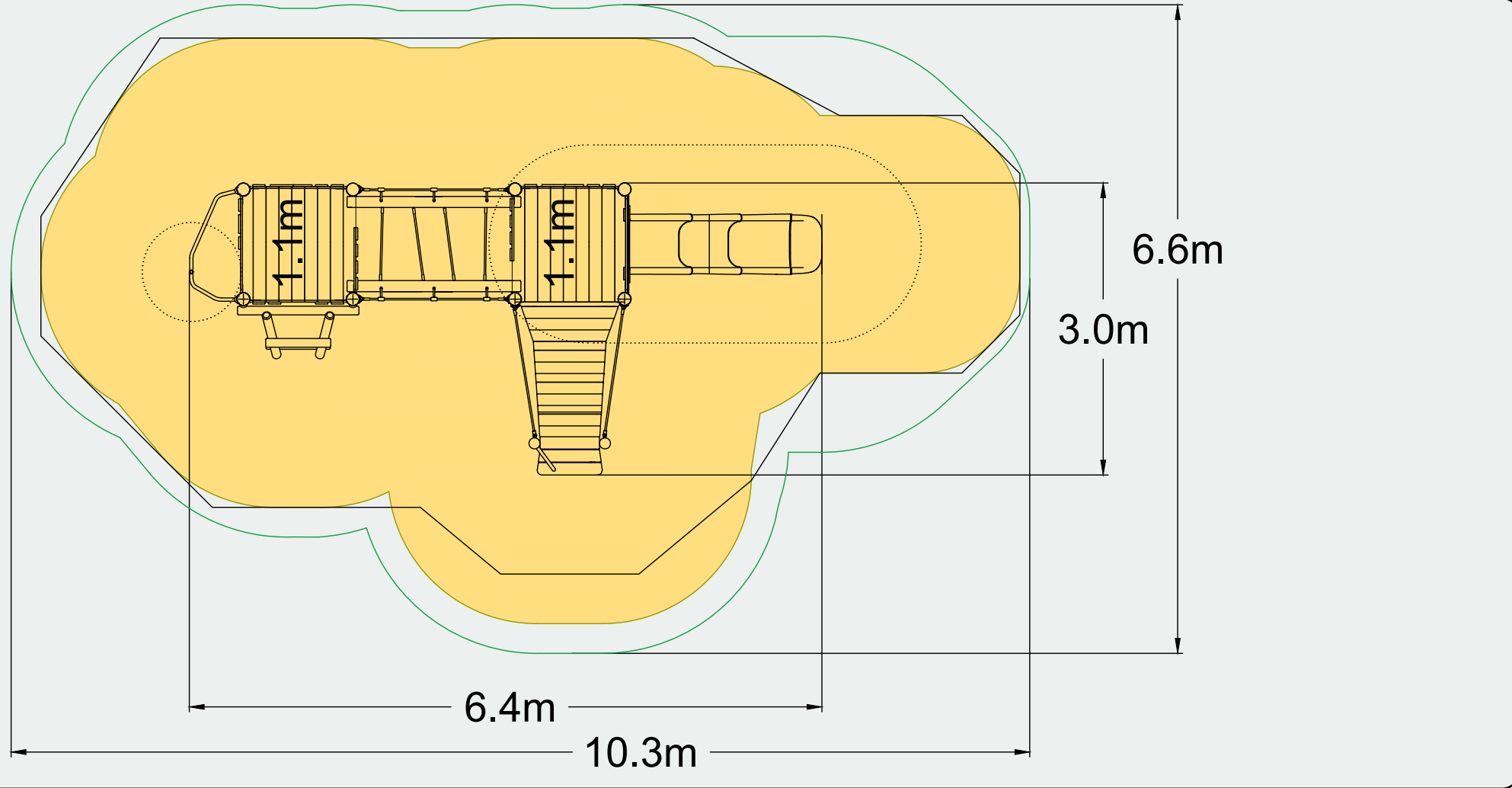
Surfacing and Area Required

Recommended Minimum Space	10.3m x 6.6m x 4.1m
Max Gradient of Ground	1 in 50
Free Height of Fall	1.1m
Synthetic Surfacing Area	41m ²
Loosefill @ 250mm Depth	13m ³
Grasslok (1m x 1m Tiles)	55.5m ²

Installation Information

Installation Time	2 Persons 19 Hours
Overall Weight	505kg
Heaviest Part	32kg
Largest Part	2.4m x 0.62m x 0.52m
Longest Part	2.9m
Concrete Required	0.9m ³

Plan View



**EN1176
Impact Area**

**Recommended
Minimum Space**

**Free
Space**

**Synthetic
Surfacing**

Side Elevation

