

Woodland Eco Towers - Thicket (Stainless Slide)

WD/THK



Play Value



Materials & Guarantees

Timber Poles (Out of Ground) - 20 Years
Steel Ground Fixings - 20 Years
Structural Stainless Steel - 25 Years
Sawn Timber - 15 Years
Colour Coated Steelwork - 5 Years
Compact Grade Laminate - 10 Years
Plastic Slides - 5 Years
Bolts - 10 Years
Plastic Components - 5 Years

- 1.5m Tower
- 1.5m Stainless Slide
- 1.5m Fireman's Pole
- 1.5m Vertical Climber
- 1.5m Striding Stilts Access

A unique design that's perfect for projects of any size! The Striding Stilts Access provides a unique feature to this unit that allows extended play that children will love.

WOODLAND ECO TOWERS

PlaydaleTM
Playgrounds

Fixing Options



Roof Options



Equipment Dimensions

Length / Width / Height	5.7m x 4.4m x 3.3m
-------------------------	--------------------

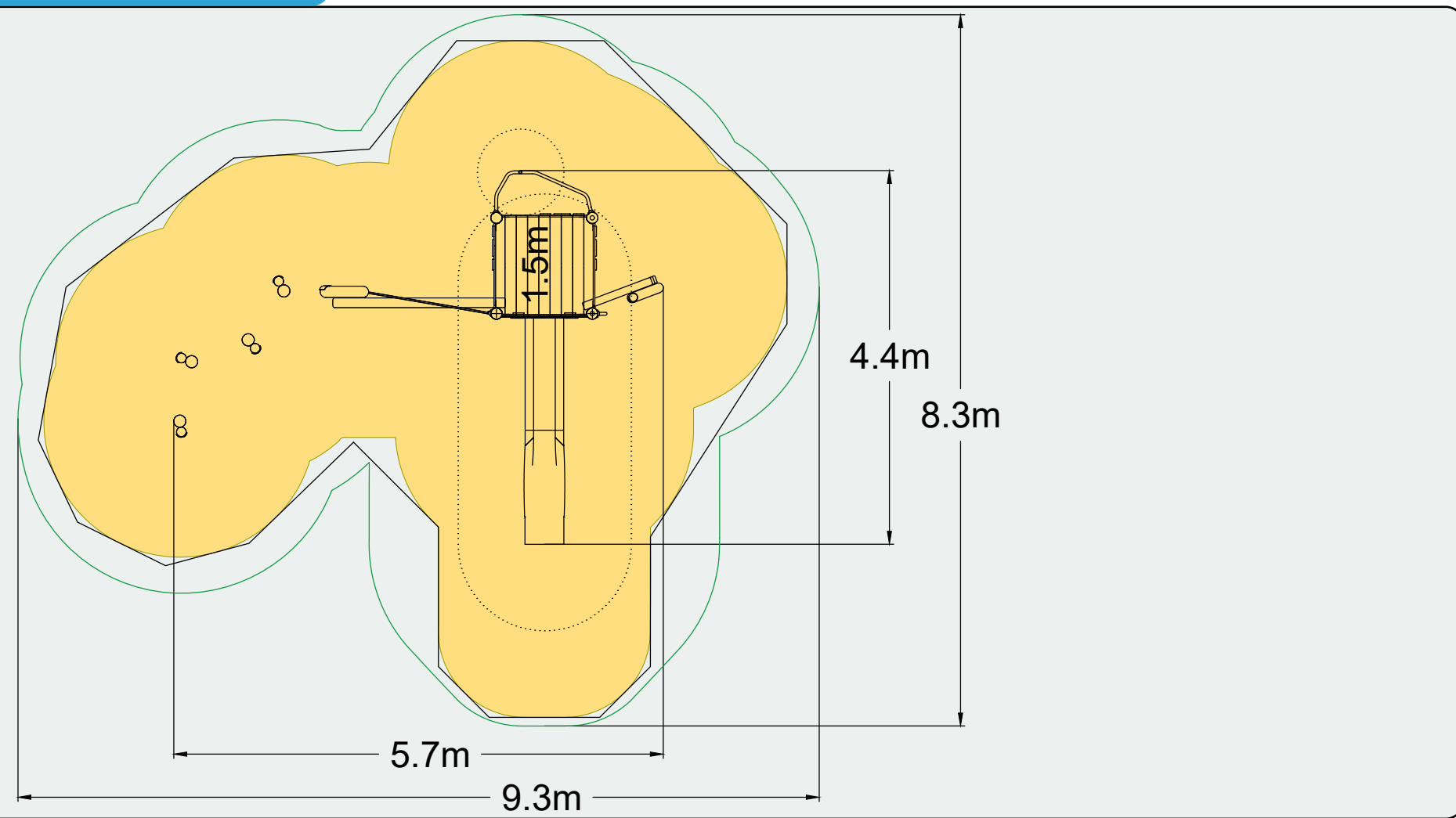
Surfacing and Area Required

Recommended Minimum Space	9.3m x 8.3m x 4.5m
Max Gradient of Ground	1 in 50
Free Height of Fall	1.5m
Synthetic Surfacing Area	42m ²
Loosefill @ 250mm Depth	13m ³
Grasslok (1m x 1m Tiles)	58m ²

Installation Information

Installation Time	2 Persons 14 Hours
Overall Weight	429kg
Heaviest Part	38kg
Largest Part	3.1m x 0.5m x 0.3m
Longest Part	3.3m
Concrete Required	0.8m ³

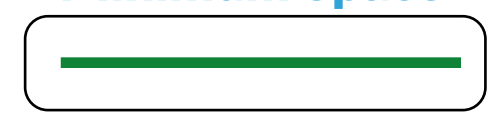
Plan View



EN1176
Impact Area



Recommended
Minimum Space



Free
Space



Synthetic
Surfacing



Side Elevation

